

Concealed wall-mounted mixer variable positioning -

35 720 970

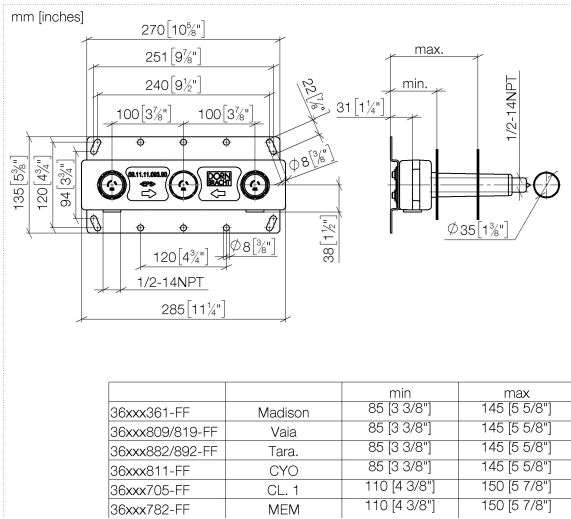


- red brass, lead-free
- 1/2" connection
- 3x sealing plug 1/2"
- 3x dust cover

NOTE: Important for certain series!
Due to minimum rough-in requirements, a framing
of 2x6 studs is needed.

Concealed wall-mounted mixer variable positioning -

35 720 970

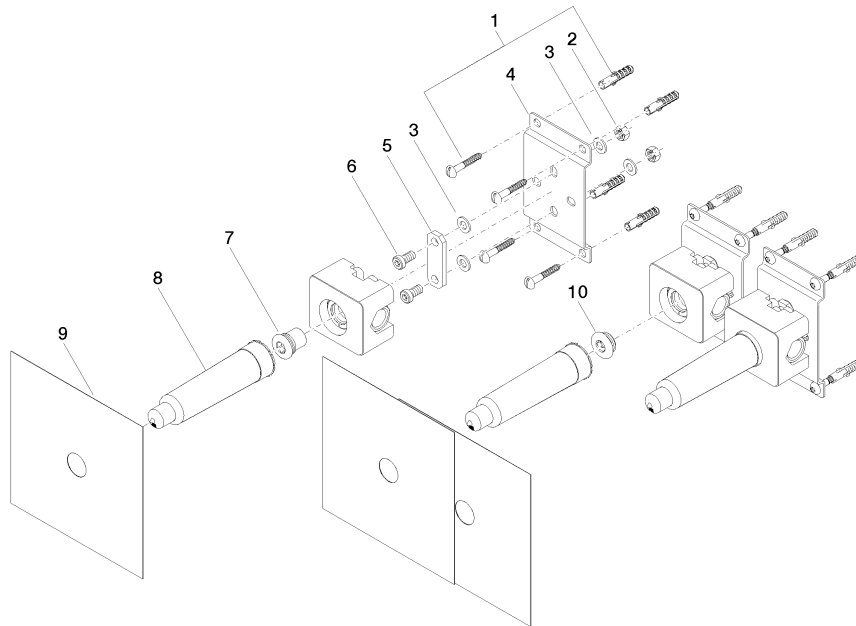


Certificates

IAPMO_N-4976 (2). IAPMO_6397 (2). IAPMO_4976 (7).

Concealed wall-mounted mixer variable positioning -

35 720 970



Spare parts list

No.	Item Number	Name	Quantity used	Delivery time
1	04 30 31 024 01 90	fixing set	6	2
2	09 23 10 023 90	nut	6	2
3	09 30 11 139 90	disc	12	2
4	09 17 20 104 90	holder	3	2
5	09 30 11 137 90	disc	3	60
6	09 30 30 068 90	screw	6	2
7	04 31 20 037 00 90	plug	1	2
8	04 21 02 173 01 90	cap	3	2
9	04 14 03 072 01 90	gasket kit	3	2
10	04 31 20 006 00 90	plug	2	2